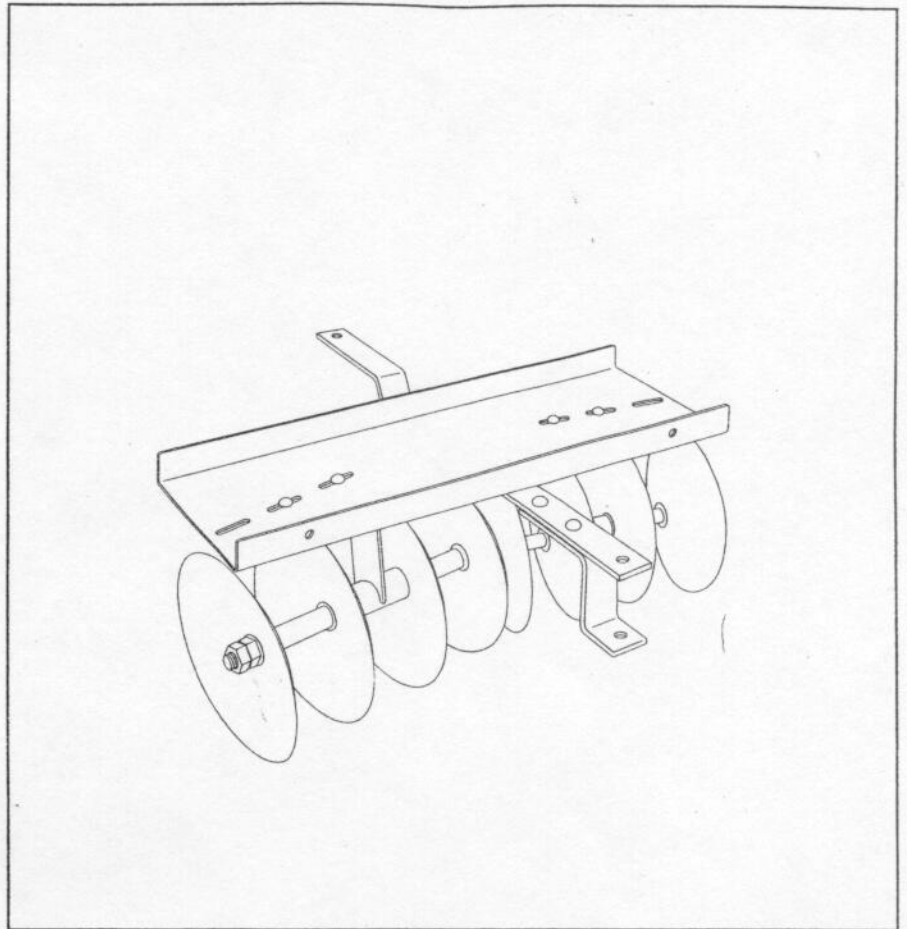


# OWNERS MANUAL

**Model No.  
45-02661**

**CAUTION:**  
Read Rules for  
Safe Operation  
and Instructions  
Carefully



## **DISC CULTIVATOR (SLEEVE HITCH)**

- Assembly
- Operation
- Maintenance
- Parts

## SAFETY RULES

Any power equipment can cause injury if operated improperly or if the user does not understand how to operate the equipment. Exercise caution at all times, when using power equipment.

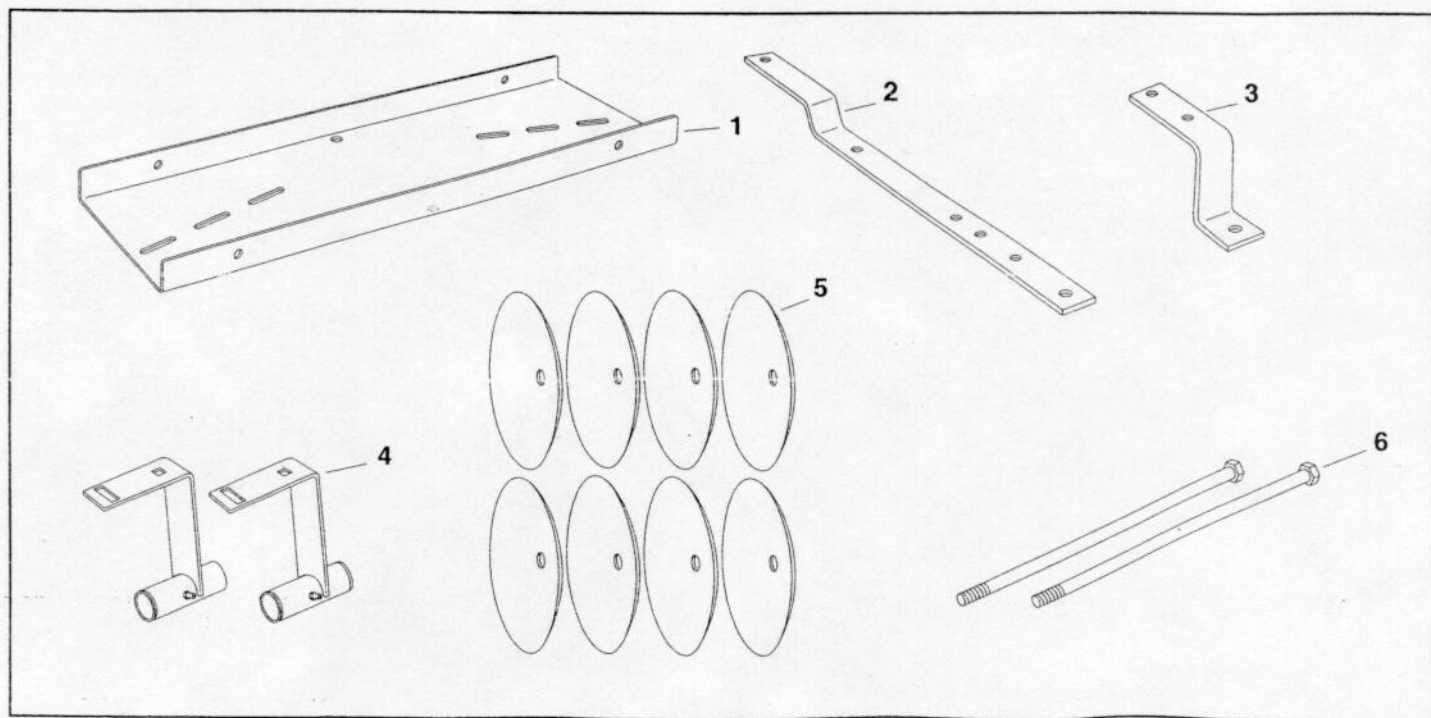
1. Read this owners manual and your vehicle and sleeve hitch owners manuals before using this equipment.
2. Do not allow children to operate vehicle or disc cultivator.
3. Do not allow adults to operate vehicle or disc cultivator without proper instructions.
4. Do not allow anyone to ride on the disc cultivator.
5. Before lowering and operating the disc cultivator, be sure no one is near the area of operation.
6. Lower disc cultivator when leaving vehicle unattended.
7. Wear substantial footwear when using disc cultivator. The disc edges are sharp!
8. Vehicle braking and stability may be affected with the attachment of this equipment. Drive slowly when disc cultivator is in transport position. **Stay off of steep slopes.**
9. Stop and inspect for damage after striking an object. Repair any damage before continuing operation.
10. Keep all nuts and bolts tight and be sure that the equipment is in safe operating condition.
11. Lock tractor lift handle in down position when attaching or removing disc cultivator from sleeve hitch.

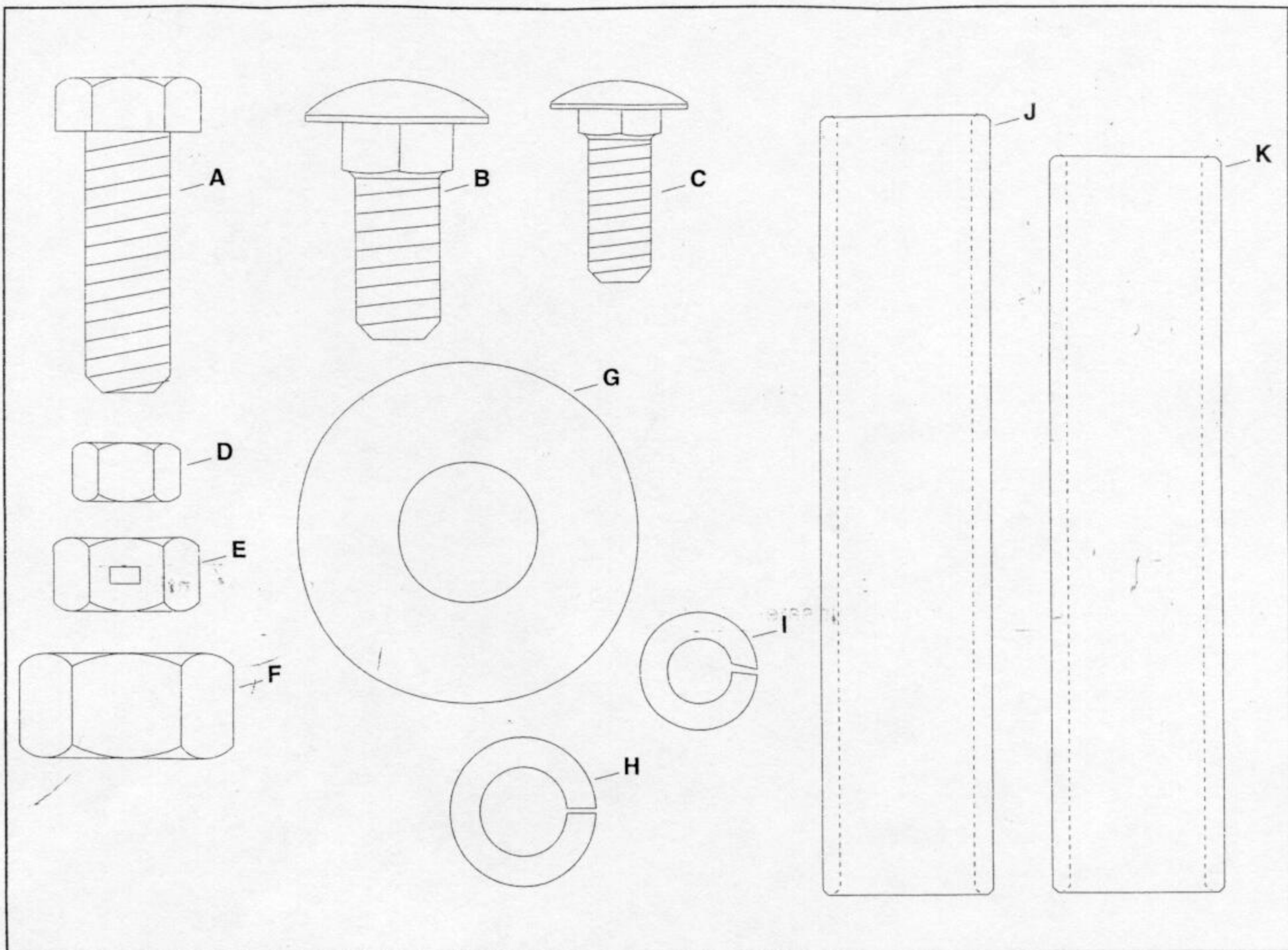


Look for this symbol to point out important safety precautions. It means--**Attention!!**  
**Become alert!!** Your safety is involved.

## CARTON CONTENTS

1. Tray
2. Draw Bar
3. Hitch Bracket
4. Bearing Hanger Bracket (2)
5. Disc Blade (8)
6. Hex Bolt, 3/4" x 16" (2)  
Hardware Package (see next page)





HARDWARE CHART - CONTENTS SHOWN ACTUAL SIZE

REF.	QTY.	DESCRIPTION	REF.	QTY.	DESCRIPTION
A	1	Hex Bolt, 1/2" x 1-1/2" Lg.	F	4	Hex Nut, 3/4"
B	4	Carriage Bolt, 1/2" x 1-1/4"	G	16	Flat Washer, 3/4"
C	4	Carriage Bolt, 3/8" x 1" Lg.	H	4	Lock Washer, 1/2"
D	4	Hex Nut, 3/8"	I	4	Lock Washer, 3/8"
E	5	Hex Lock Nut, 1/2"	J	2	Bearing Sleeve
			K	4	Spacer

# ASSEMBLY INSTRUCTIONS

## TOOLS REQUIRED FOR ASSEMBLY

- (2) 9/16" Wrenches
- (2) 3/4" Wrenches
- (2) 1-1/8" Wrenches or 10" Adjustable Wrenches
- (1) Grease Gun



**CAUTION:** Disc blades have sharp edges. Use care in handling and assembly. Wear gloves for extra protection against cuts.

Remove loose parts and hardware package from the carton. Lay out and identify as shown on pages 2 and 3.

1. Assemble four discs to each bearing hanger bracket using a bearing sleeve (unplated), a 3/4" x 16" hex bolt, eight 3/4" flat washers, two spacers and two 3/4" hex nuts. Be sure the discs face the same direction relative to the hanger bracket as shown in the figure 1. **Tighten** the first hex nut and then **tighten** the second hex nut against the first.
2. Lubricate the bearings through the grease fittings in the bearing hanger bracket assemblies until grease is forced out through the bearings.

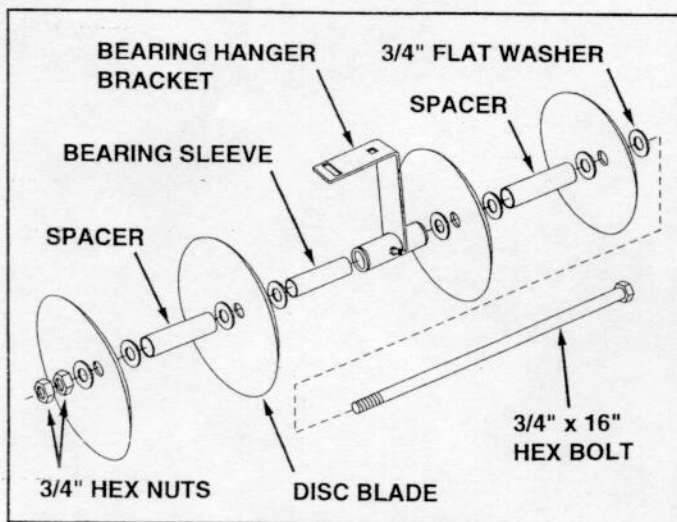


FIGURE 1

3. Assemble the hitch bracket to the draw bar using two 1/2" x 1-1/4" carriage bolts, 1/2" lock washers and 1/2" hex lock nuts. See figure 2.

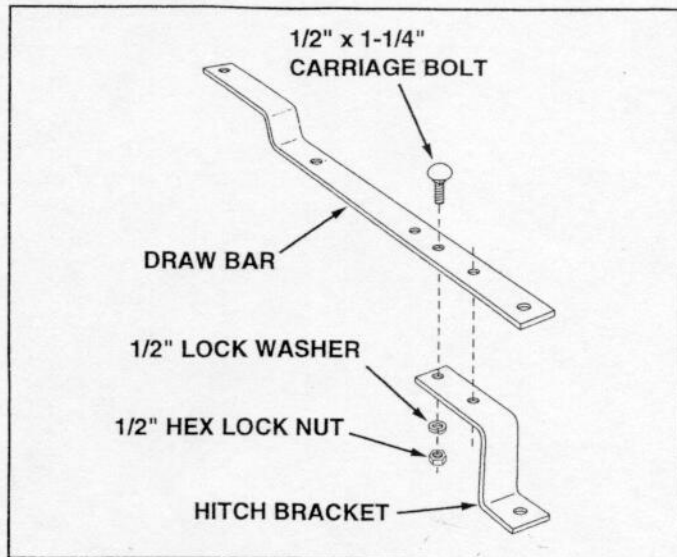


FIGURE 2

4. Position the tray with the slots angled either toward rear center or front center as shown in figure 3. (Refer to Operation section on page 6 for more information.) Assemble the drawbar to the bottom of the tray using two 1/2" x 1-1/4" carriage bolts, 1/2" lock washers and 1/2" hex lock nuts. See figure 3.

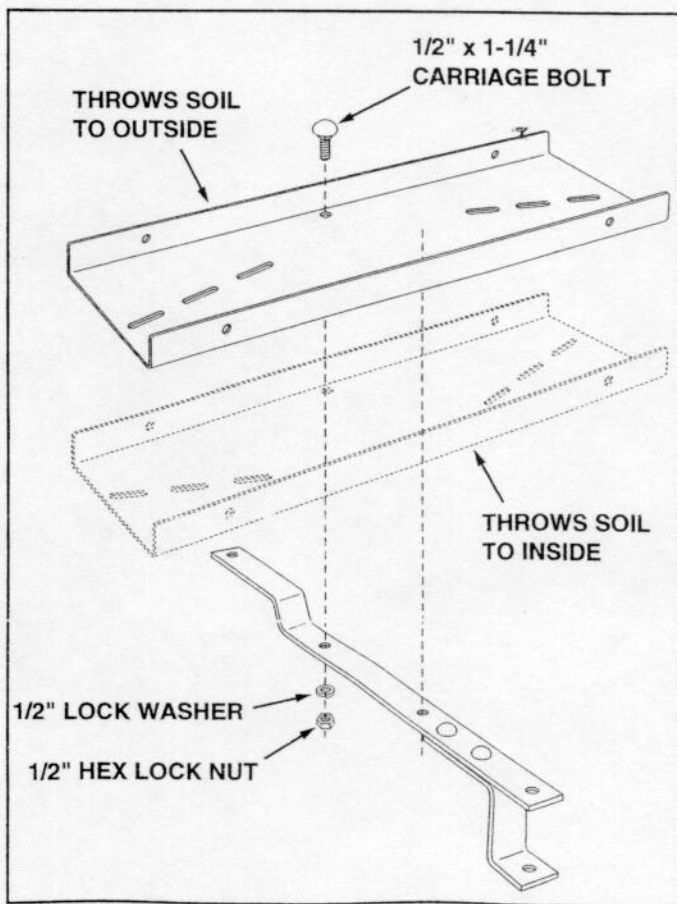


FIGURE 3

## ASSEMBLY OF SINGLE CULTIVATOR

The following instructions describe the two types of disc arrangement. The discs can also be mounted farther apart by using the outer slots in the tray.

5. Assemble the disc assemblies to the tray using four  $3/8"$  x  $1"$  carriage bolts,  $3/8"$  lock washers and  $3/8"$  hex nuts. Swivel the disc assemblies so that the carriage bolt is centered in the angle adjustment slot. **Tighten.** This places the discs at the standard 15 degree angle. See figures 4 and 5.

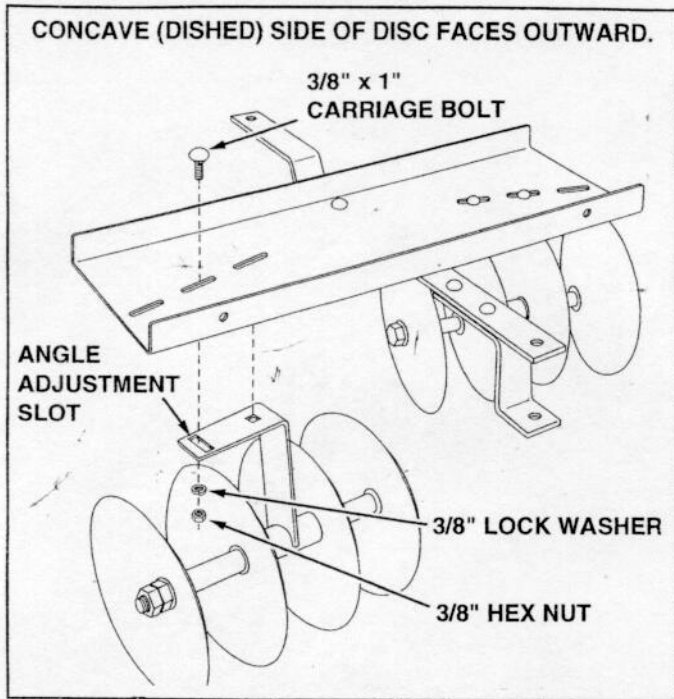


FIGURE 4

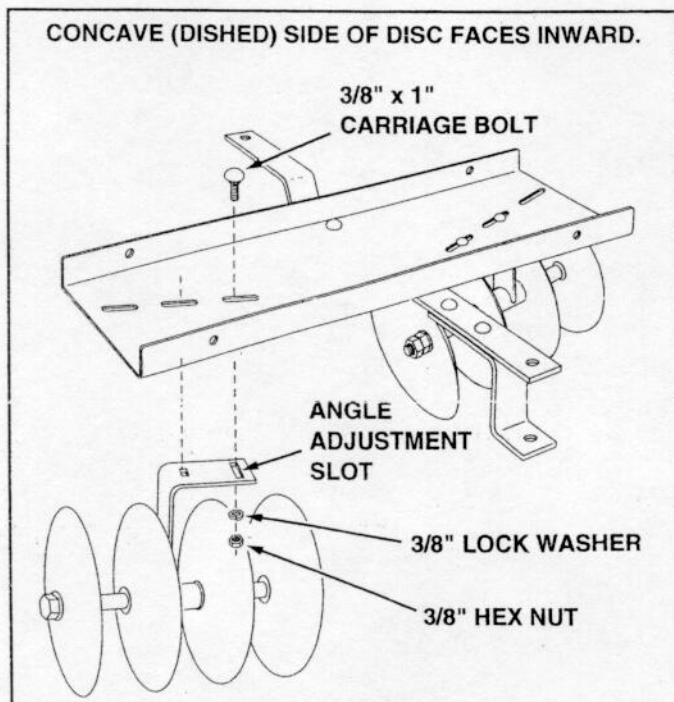


FIGURE 5

## ASSEMBLY OF TANDEM CULTIVATORS

(Requires purchase of a second cultivator.)

The front cultivator should be assembled as shown in figure 4. The rear cultivator should be assembled using the following instructions. Note that the position of the tray and drawbar are the reverse of the front cultivator.

6. Assemble the disc assemblies to the **outer** slots in the tray using four  $3/8"$  x  $1"$  carriage bolts,  $3/8"$  lock washers and  $3/8"$  hex nuts. Swivel the disc assemblies so that the carriage bolt is centered in the angle adjustment slot. This places the discs at the standard 15 degree angle. **Tighten.** See figure 6.

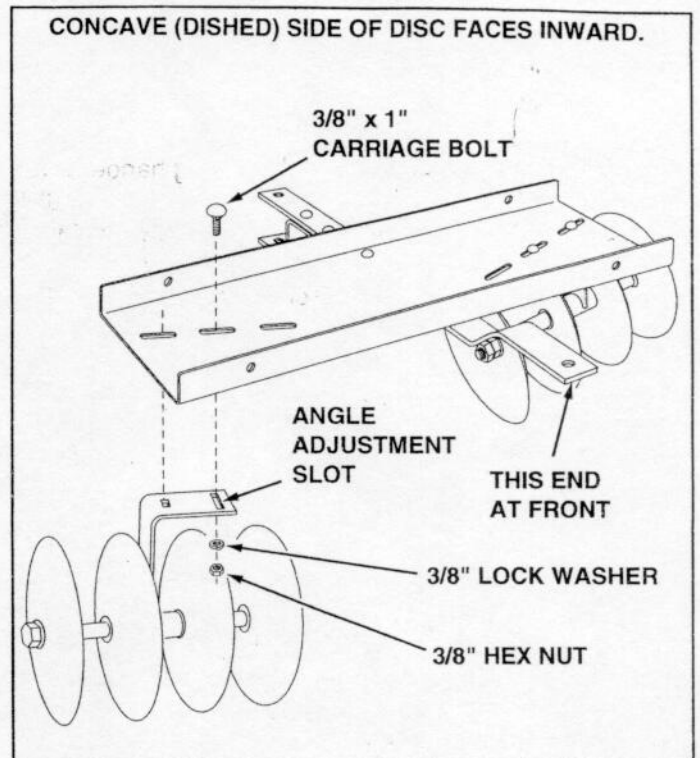


FIGURE 6

## ATTACHING CULTIVATOR TO TRACTOR



**CAUTION:** Lock tractor lift handle in down position when attaching or removing the disc cultivator from sleeve hitch.

Refer to your sleeve hitch owners manual.

1. Remove the stabilizer bolts from the tractor's sleeve hitch as shown in figure 7 to allow side to side motion of the disc cultivator.
2. Attach the disc cultivator to the sleeve hitch on your tractor using the sleeve hitch pin.
4. Adjust the sleeve hitch so that the disc cultivator is free to lower below ground level but can still be raised an adequate distance above ground for transport.

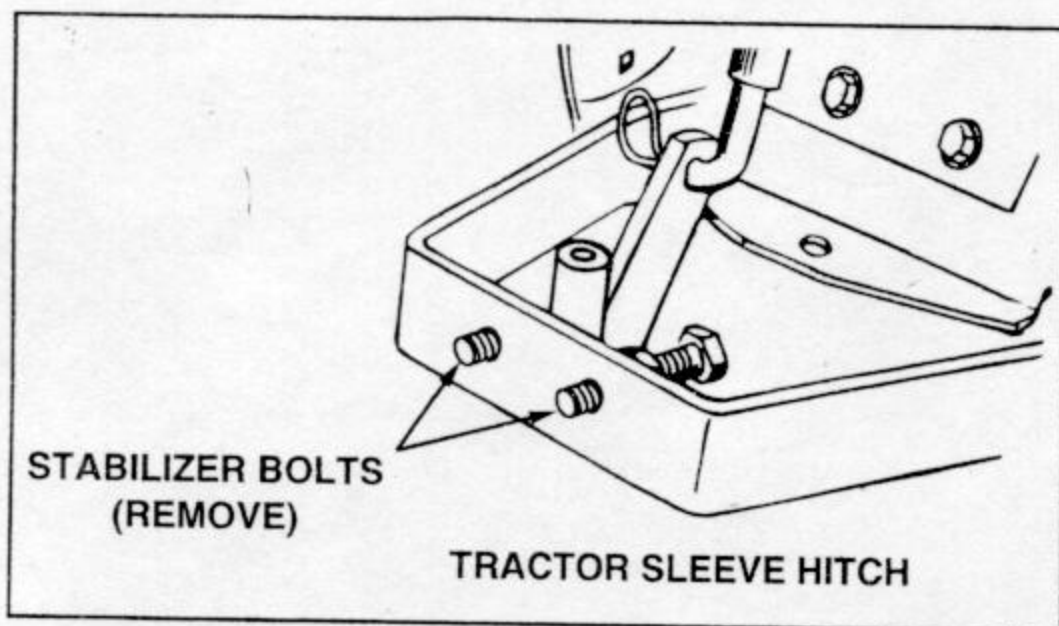


FIGURE 7

## ATTACHING TANDEM CULTIVATORS

1. Attach the front cultivator as instructed above.
2. Attach the rear cultivator to the front cultivator by fastening the rear drawbars together using a 1/2" x 1-1/2" hex bolt and a 1/2" hex lock nut. Do not completely tighten the nut, allowing a slight amount of play between the rear drawbars. See figure 8.



**CAUTION:** Do not attempt to raise the tractor sleeve hitch when connected to disc cultivators in tandem arrangement.

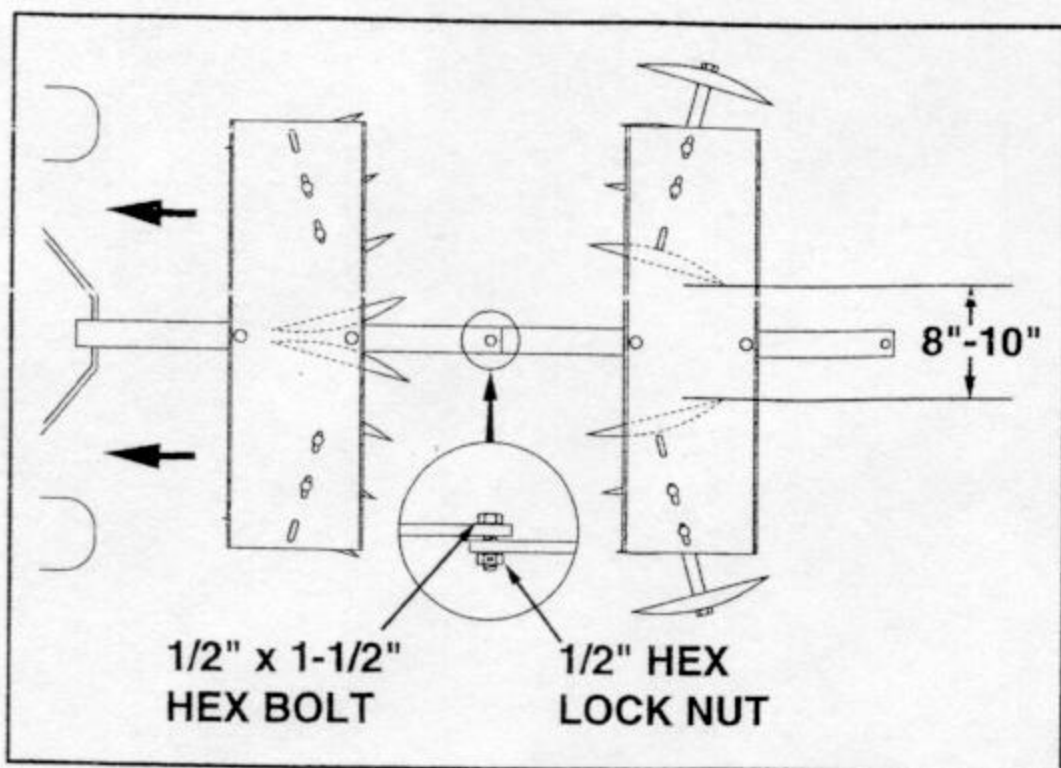


FIGURE 8

## OPERATION

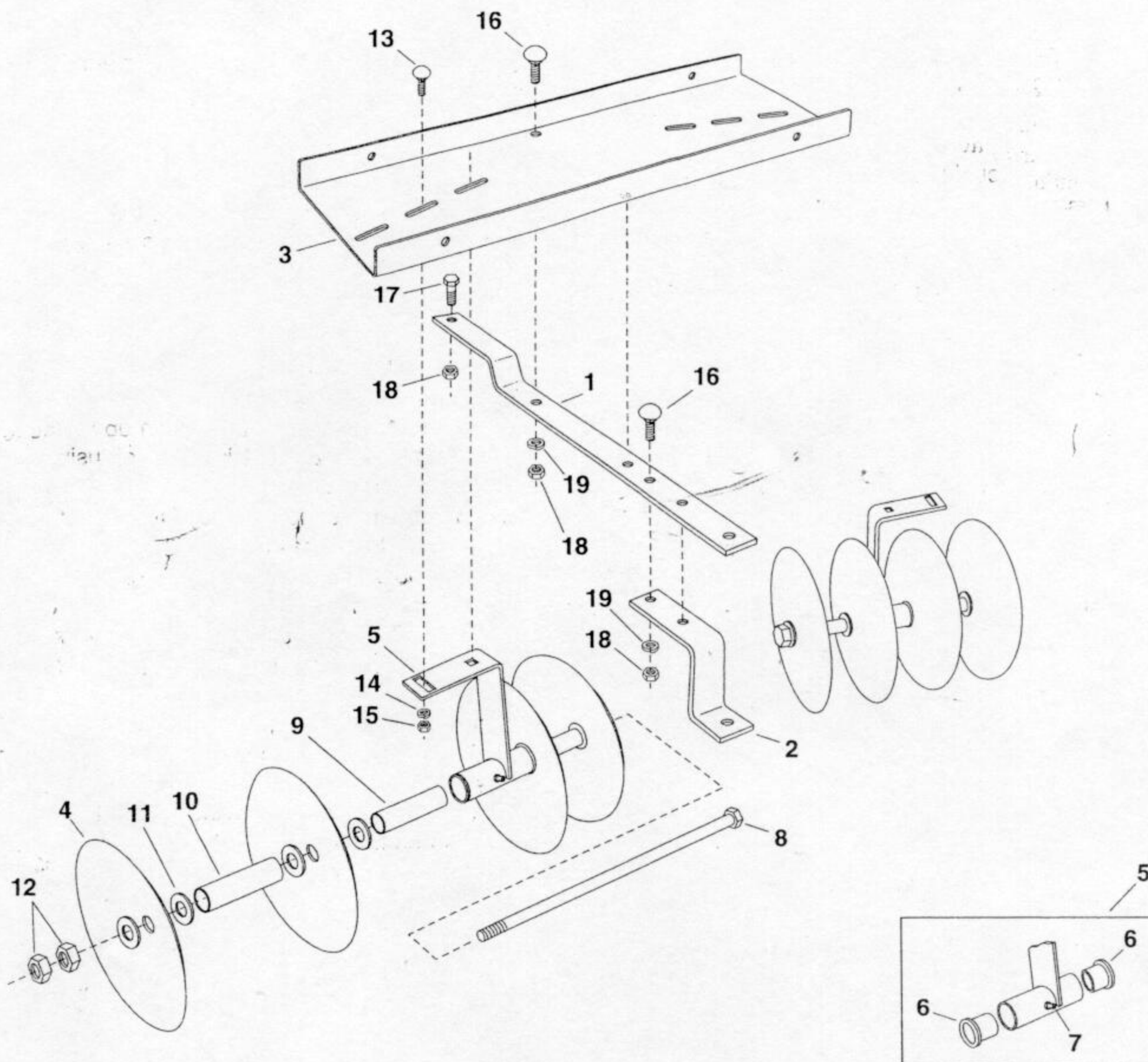
The disc cultivator is used to break up clods of dirt in plowed soil. It can also be used to cultivate between rows of young plants.

1. Before starting make sure the soil is dry enough by squeezing some in your hand. If it forms a ball that doesn't crumble then the soil is too wet for discing. Wet soil will pack between the disc blades.
2. Adjust the discs to the desired angle setting. The angle can be varied from 10 to 20 degrees. Start with a setting of 15 degrees (the carriage bolt centered in the angle adjustment slot in the bearing hanger bracket). The greater the angle, the greater the discing action.
3. To break up dirt clods in plowed soil, start discing slowly at first. As the clods are broken up the speed may be gradually increased. Disc the soil using a crisscross pattern for best results.
4. To cultivate young crops by straddling the rows, move the discs to the maximum width setting. To throw the dirt to the outside, the concave side of the discs should face outward with the disc assemblies angled toward the rear center. To throw dirt to the inside, to smother young weeds in the crop row, the concave side of the discs should face inward with the disc assemblies angled toward the front center.
5. To use two cultivators in tandem, the disc assemblies should be positioned as shown in figure 8, with the inside discs almost touching on the front cultivator and 8" to 10" apart on the rear cultivator. With this arrangement the front cultivator will throw the dirt to the outside and the rear cultivator will throw the dirt back to the inside.
6. Up to 100 lbs. of weight may be added to help increase penetration. Concrete blocks or other weight may be tied or strapped to the cultivator tray. Before adding weight, the cultivator should be attached to the tractor with the sleeve hitch in the down position.

## MAINTENANCE

1. Check for loose bolts after each use.
2. Clean the disks and lightly oil any exposed metal after each use.
3. Remove all dirt and rust and touch up with paint before storing.
4. Store inside a dry area.

# REPAIR PARTS FOR MODEL 45-02661 - DISC CULTIVATOR



REF. NO.	PART NO.	QTY.	DESCRIPTION	REF. NO.	PART NO.	QTY.	DESCRIPTION
1	24850	1	Draw Bar	11	1540-162	16	Flat Washer, 3/4" Std. Wrt.
2	24851	1	Hitch Bracket	12	46860	4	Hex Nut, 3/4-10 Thread
3	24852	1	Tray	13	43350	4	Carriage Bolt, 3/8-16 x 1" Lg.
4	46856	8	Blade Disc	14	43003	4	Lock Washer, 3/8"
5	63510	2	Bearing Hanger Brkt. Assembly.	15	43015	4	Hex Nut, 3/8-16 Thread
6	44488	4	Bearing (Included in #63510)	16	48279	4	Carriage Bolt, 1/2-13 x 1-1/4" Lg.
7	46858	2	Grease Fitting (Included in #63510)	17	43020	1	Hex Bolt, 1/2-13 x 1-1/2" Lg.
8	46857	2	Hex Bolt, 3/4-10 x 16" Lg.	18	43262	5	Hex Lock Nut, 1/2-13 Thread
9	24240	2	Bearing Sleeve	19	43353	4	Lock Washer, 1/2"
10	46859	4	Spacer, 3/4" I.D. x 4-1/4" Lg.		48288	1	Owners Manual

## AGRI-FAB® LIMITED WARRANTY

**WHO IS COVERED:** This Warranty covers only the original retail purchaser of an AGRI-FAB® product or part. It is not transferable.

**HOW LONG DOES COVERAGE LAST:** This Warranty remains in force for 1 year from the date of purchase.

**WHAT IS COVERED:** Any defect in material or workmanship of your AGRI-FAB® product or part.

**WHAT IS NOT COVERED:**

1. This warranty does not apply to the engine or components parts thereof. Please refer to the applicable manufacturer's warranty on these items
2. Transportation charges for the movement of any power equipment unit or attachment are the responsibility of the purchaser. Transportation charges for any parts submitted for replacement under this warranty must be paid by the purchaser unless such return is requested by AGRI-FAB®.
3. This Warranty applies only to products, which have been properly assembled, adjusted, operated, and maintained in accordance with the instructions furnished. This Warranty does not apply to any product, which has been subjected to alteration, misuse, abuse, improper assembly or installation, delivery damage, or to normal wear of the product.
4. Exclusions: Excluded from this Warranty are belts, blades, blade adapters, normal wear, normal adjustments, standard hardware and normal maintenance.
5. AGRI-FAB® does not extend any warranty for products sold or exported outside of the United States of America, its possessions and territories, except those sold through AGRI-FAB's authorized channels of export distribution.

**WHAT AGRI-FAB® WILL DO:** Repair or replace your AGRI-FAB® product or part.

**HOW TO GET SERVICE:** Deliver the AGRI-FAB® product or part to AGRI-FAB's local authorized service dealer or distributor. If you do not know the dealer or distributor in your area, please write to the Customer Service Department of AGRI-FAB, Inc. at P.O. BOX 903, SULLIVAN, ILLINOIS 61951. The return of a product or part to AGRI-FAB® will not be accepted unless prior written permission has been extended by AGRI-FAB®.

**THE DURATION OF ANY IMPLIED WARRANTY OF MERCHANTABILITY IS LIMITED TO THE DURATION OF THE ABOVE EXPRESS WARRANTY. THE REMEDIES PROVIDED IN THIS LIMITED WARRANTY ARE THE CUSTOMER'S SOLE AND EXCLUSIVE REMEDIES. EXCEPT FOR THE OBLIGATIONS SPECIFICALLY SET FORTH IN THIS LIMITED WARRANTY, IN NO EVENT SHALL AGRI-FAB® BE LIABLE FOR INCIDENTAL OR CONSEQUENTIAL DAMAGES, WHETHER BASED ON CONTRACT, TORT, OR ANY OTHER LEGAL THEORY.** Some states do not allow limitations on how long an implied warranty lasts, or the exclusion or limitation of incidental or consequential damages, so the above limitations may not apply to you.

This Warranty gives you specific legal rights, and you may also have other rights, which vary from state to state.

Agri-Fab, Inc., 303 West Raymond St., Sullivan, Illinois 61951 - (217) 728-8388 - [www.Agri-Fab.com](http://www.Agri-Fab.com)

**REPAIR PARTS**  
303 West Raymond  
Sullivan, IL. 61951  
217-728-8388  
[www.agri-fab.com](http://www.agri-fab.com)